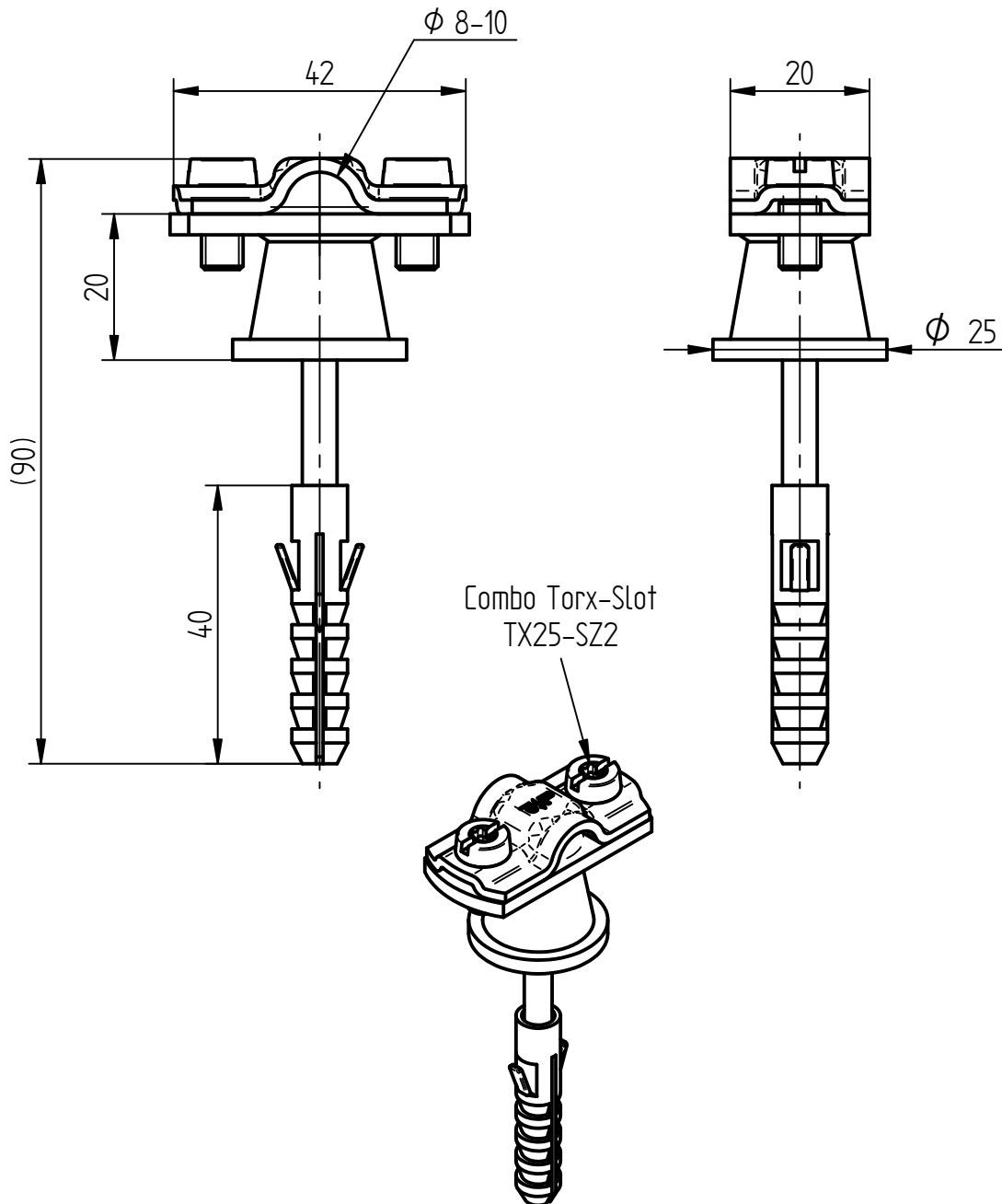


Product Specification

Ord.-No.: **1034**

Specification: Conductor fastener, St/tZn-PA6, Ø 8-10mm with base grey, screw and dowel

Performance: Conductor fastener according to DIN EN 62561-4 for fixing round conductors to walls. Type with base, screw and dowel.



Material of base	PA 6 grey
Material of conductor fastener	St/tZn
Height of conductor leading	20 mm
Fit of conductor fastener	Ø 8-10 mm
Fit of dowel	Ø 8 mm
Weight	52 g
Standard reference	DIN EN 62561-4
Packing unit	100 units